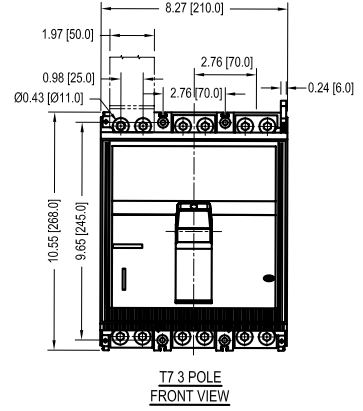
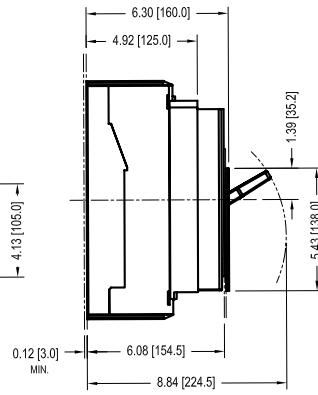
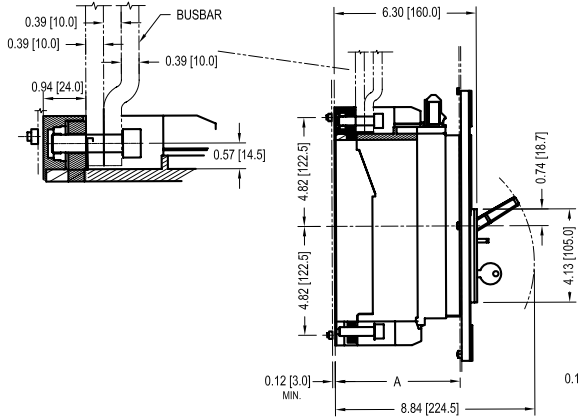


Approximate dimensions T7

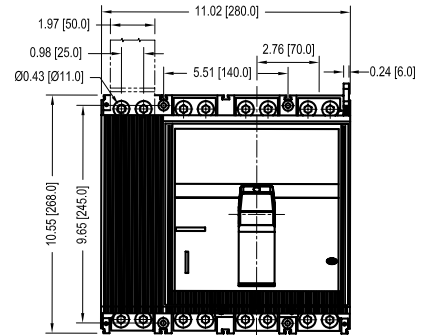


	WITH FLANGE	WITHOUT FLANGE
A	4.92 [125.0] - 5.55 [141.0]	5.79 [147.0]

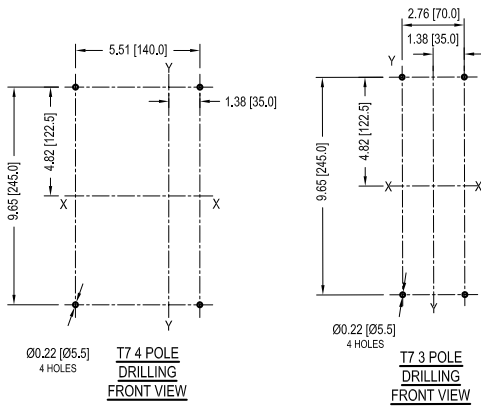
T7 3 & 4 POLE
SIDE VIEW
WITH FLANGE

T7 3 & 4 POLE
SIDE VIEW
WITH REDUCED FLANGE

T7 3 POLE
FRONT VIEW

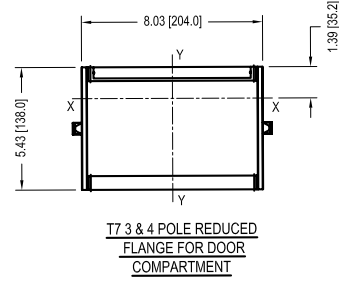


T7 4 POLE
FRONT VIEW

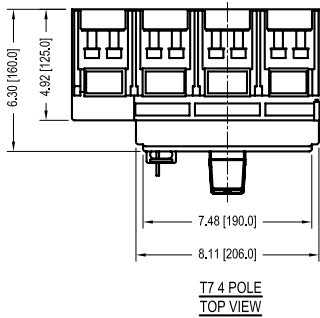


T7 4 POLE
DRILLING
FRONT VIEW

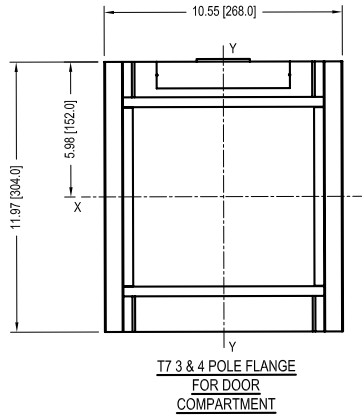
T7 3 POLE
DRILLING
FRONT VIEW



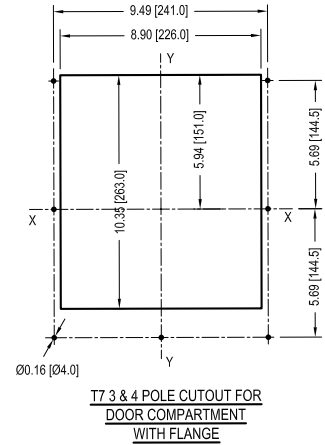
T7 3 & 4 POLE REDUCED
FLANGE FOR DOOR
COMPARTMENT



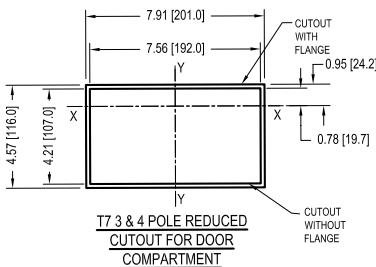
T7 4 POLE
TOP VIEW



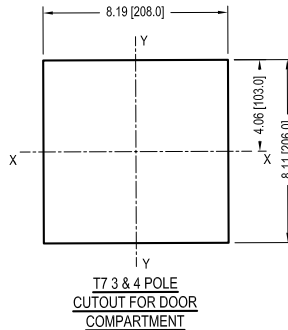
T7 3 & 4 POLE FLANGE
FOR DOOR
COMPARTMENT



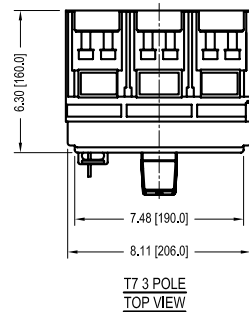
T7 3 & 4 POLE CUTOUT FOR
DOOR COMPARTMENT
WITH FLANGE



T7 3 & 4 POLE REDUCED
CUTOUT FOR DOOR
COMPARTMENT

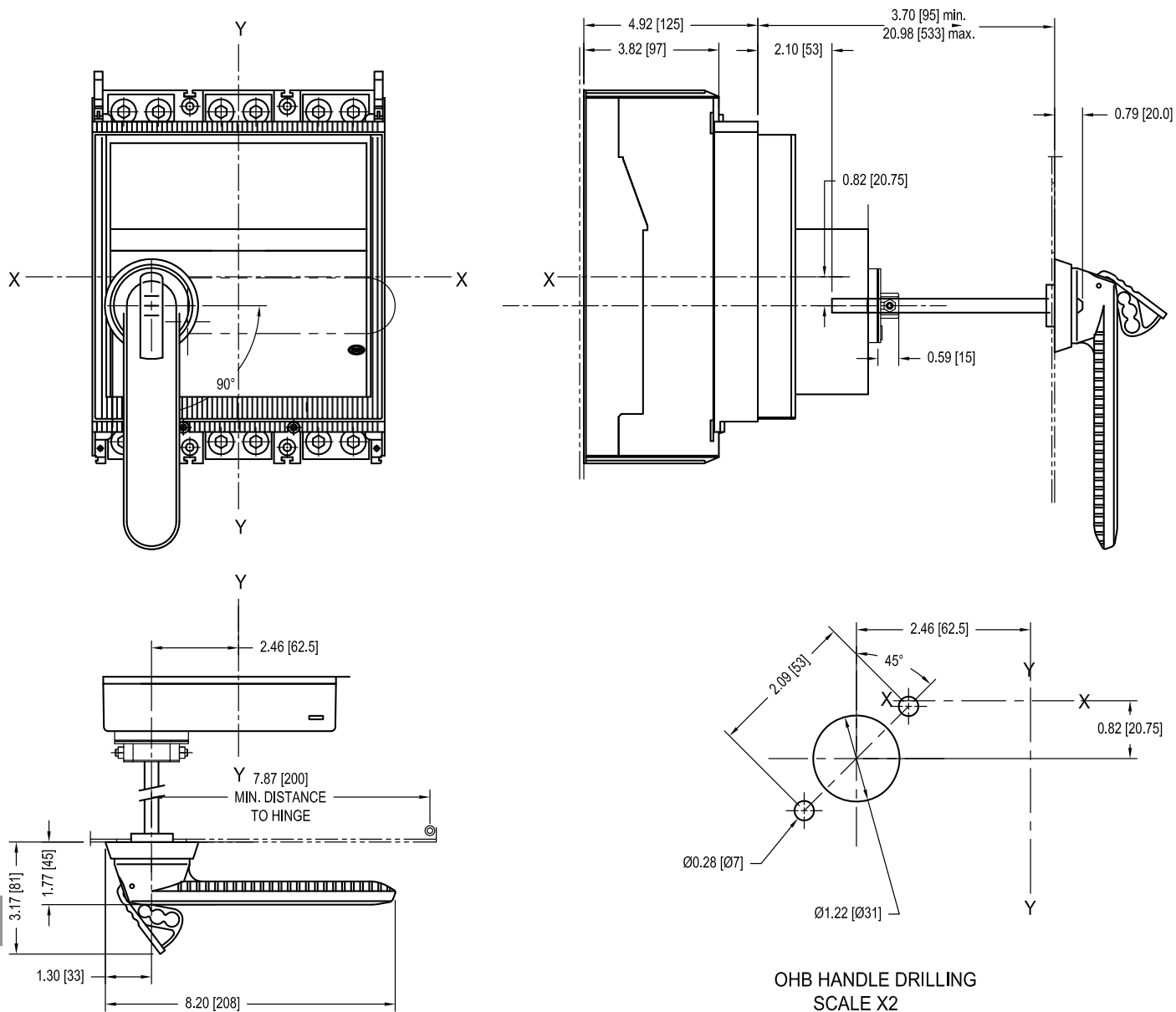


T7 3 & 4 POLE
CUTOUT FOR DOOR
COMPARTMENT



T7 3 POLE
TOP VIEW

Approximate dimensions T7 Variable depth mechanism



16

OHV HANDLE DRILLING
SCALE X2